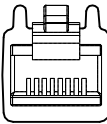
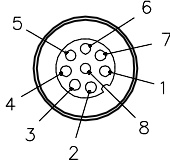
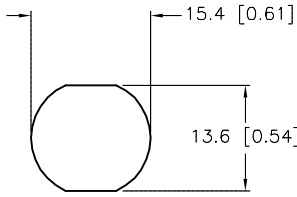
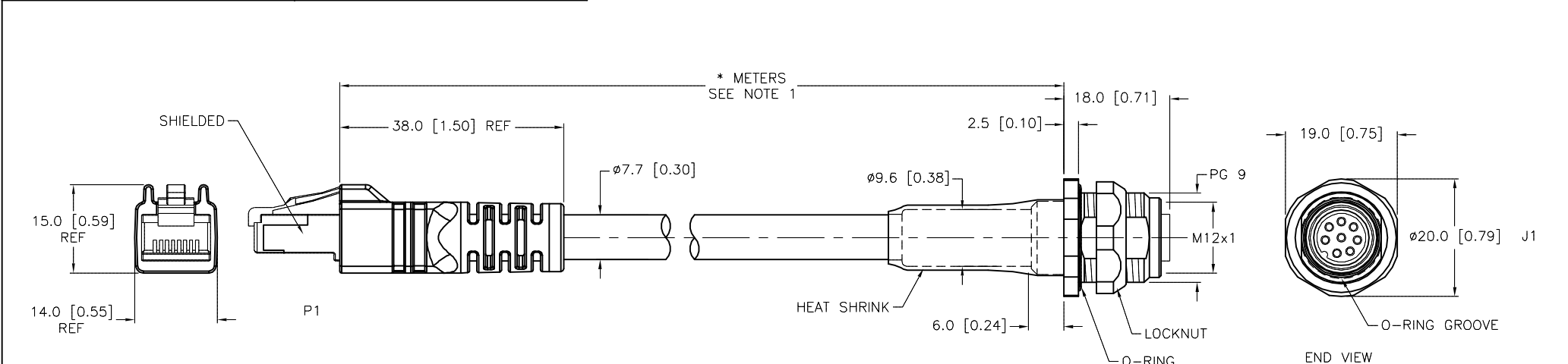


RJ45S END VIEW	FEMALE END VIEW	MOUNTING HOLE	SPECIFICATIONS	
 <p>12345678</p> <p>1 = WHITE/ORANGE (+TX) 2 = ORANGE (-TX) 3 = WHITE/GREEN (+RX) 4 = BLUE 5 = WHITE/BLUE 6 = GREEN (-RX) 7 = WHITE/BROWN 8 = BROWN</p> <p><i>Ethernet</i></p>	 <p>1 = WHITE/BLUE 2 = WHITE/BROWN 3 = BROWN 4 = ORANGE (-TX) 5 = WHITE/GREEN (+RX) 6 = WHITE/ORANGE (+TX) 7 = BLUE 8 = GREEN (-RX)</p> <p><i>Euro Fast Ethernet</i></p>	 <p>15.4 [0.61] 13.6 [0.54]</p>	CONTACT CARRIER MATERIAL (J1)	NYLON OR TPU
			CONTACT MATERIAL/PLATING (J1)	BRASS/GOLD
			HOUSING MATERIAL/FINISH (J1)	STAINLESS STEEL/PASSIVATED
			CONTACT CARRIER MATERIAL/COLOR (P1)	POLYCARBONATE/CLEAR
			MOLDED HEAD MATERIAL/COLOR (P1)	TPU/BLACK
			CONTACT MATERIAL/PLATING (P1)	BRONZE/GOLD
			RATED CURRENT [A]	1.5 A
			RATED VOLTAGE [V]	42 V
			OUTER CABLE JACKET MATERIAL/COLOR	TPE/TEAL
			CONDUCTOR INSULATION MATERIAL	HDPE
			NUMBER OF CONDUCTORS [AWG]	4UTP×24 AWG, STRANDED
			SHIELDING	ALUM.-POLYESTER FOIL, TINNED-COPPER BRAIDED
			TEMPERATURE RANGE	-40°C to +80°C (-40°F to +176°F)
			PROTECTION CLASS	MEETS IEC IP67 (RJ45:IP20)



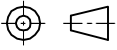
"841" RAW CABLE SPECIFICATIONS	
CABLE PROPERTIES:	OIL, UV, WELD SLAG, AND ABRASION RESISTANT
VOLTAGE RATINGS (MAX):	600V
CATEGORY:	CAT 5e; (CABLE WILL MEET CAT 5e CHANNEL REQUIREMENTS TO 90M LENGTH)
POE COMPLIANT (802.3af):	UP TO 80M LENGTH WHEN INSTALLED PER RECOMMENDATIONS IN TIA TSB-184
FLEXLIFE:	10X CABLE OD MIN: 1 MILLION CYCLES (TICK TOCK) 20X CABLE OD MIN: 10 MILLION CYCLES (TICK TOCK)
APPROVALS:	TORSION TEST: 3 MILLION CYCLES (1lb LOAD, 360°-71 CYCLES/min) C(UL)US CMX-OUTDOOR-CM LISTED, AWM RECOGNIZED COMPLIANT WITH NEC ARTICLE 800 COMMUNICATIONS CABLES

CABLE LENGTH	TOLERANCE*
ALL LENGTHS	+ 4% (OR 50mm) OF LENGTH - 0% (OR 0mm) OF LENGTH WHICHEVER IS GREATER
STRIP LENGTH	TOLERANCE*
0-7mm	±0.5mm
8-29mm	±1.0mm
30-49mm	±2.0mm
50-69mm	±3.0mm
70-100mm	±4.0mm
OVER 100mm	±5.0mm

\* UNLESS OTHERWISE SPECIFIED

SOURCE DRAWING - FOR REFERENCE ONLY

NOTES:  
1. "\*" INDICATES CABLE LENGTH IN METERS. CONTACT TURCK TO ORDER SPECIFIC LENGTHS.

RELATED DOCUMENTS		3RD ANGLE PROJECTION		THIS DRAWING IS CONFIDENTIAL AND THE PROPERTY OF TURCK INC. USE OF THIS DOCUMENT WITHOUT WRITTEN PERMISSION IS PROHIBITED.		3000 CAMPUS DRIVE MINNEAPOLIS, MN 55441 1-800-544-7769 (763) 553-7300 (763) 553-0708 fax turck.com	
1.			DRFT	RDS	DATE	7/23/02	DESCRIPTION RJ45S FKSDV 841-*M
2.			APVD		SCALE	1=1.0	
3.		ALL DIMENSIONS DISPLAYED ON THIS DRAWING ARE FOR REFERENCE ONLY  CONTACT TURCK FOR MORE INFORMATION	UNIT OF MEASUREMENT		IDENTIFICATION NO.		REV
4.			MILLIMETER [ INCH ]				N
MATERIAL		DO NOT SCALE THIS DRAWING		FILE: 777006026		SHEET 1 OF 1	

N	ADD CABLE SPECIFICATIONS	KMY	08/11/14	46545
REV	DESCRIPTION	BY	DATE	ECO NO.